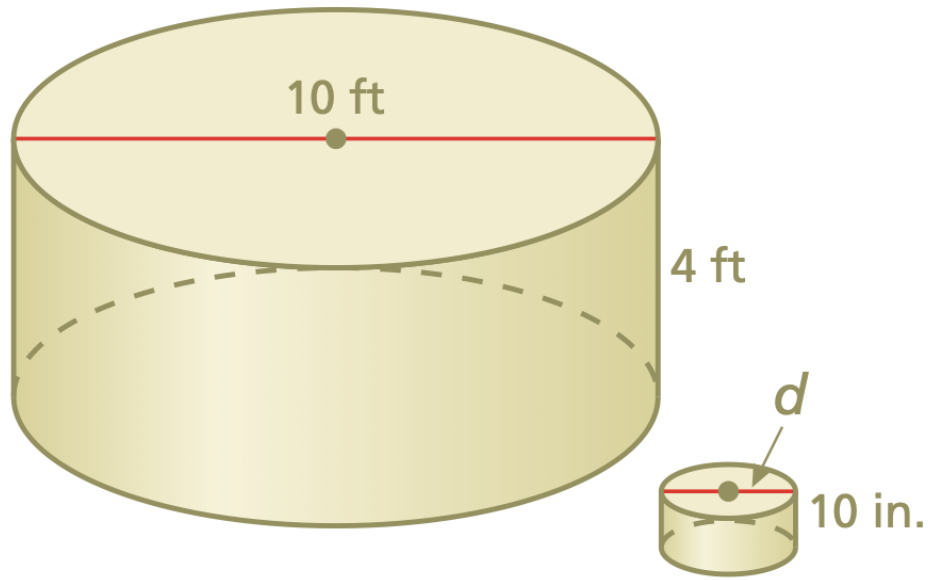
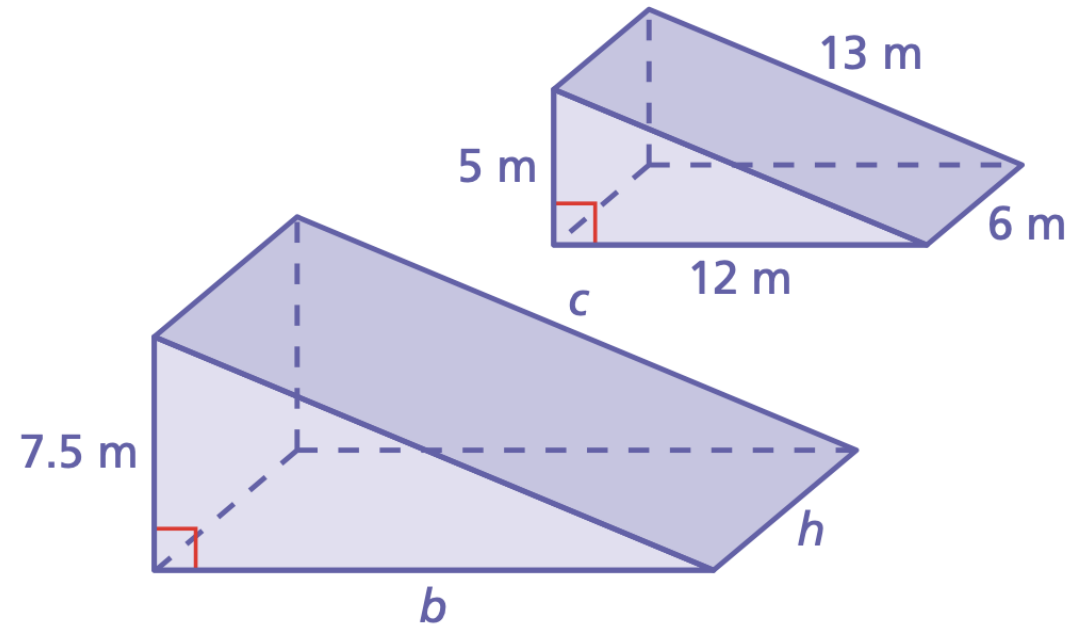


The solids are similar. Find the missing dimension(s).

8.

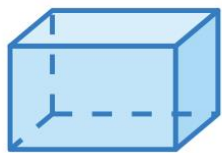


9.



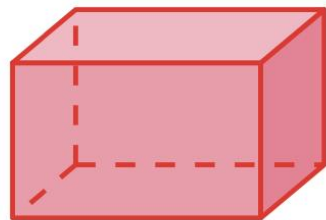
The solids are similar. Find the surface area of the the red solid. Round your answer to the nearest tenth.

10.



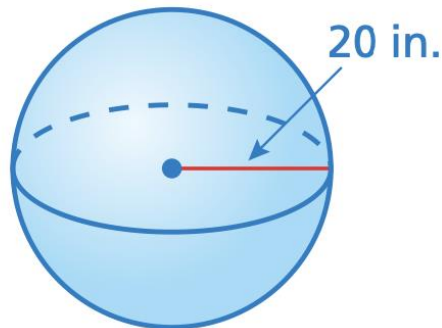
4 m

Surface Area = 336 m^2

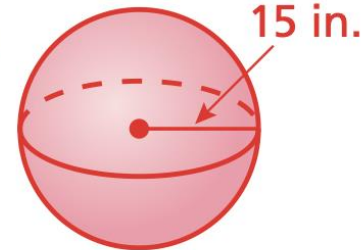


6 m

11.



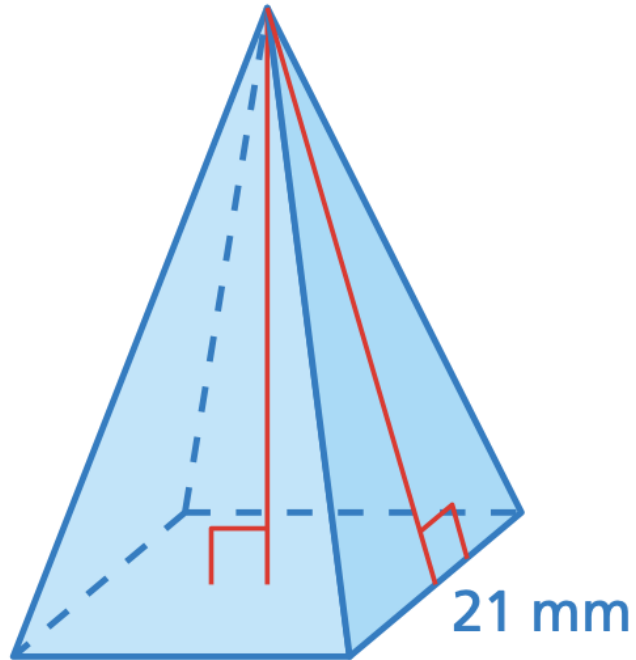
20 in.



15 in.

Surface Area = 1800 in.^2

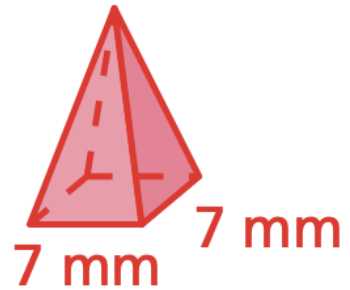
The solids are similar. Find the volume of the the red solid. Round your answer to the nearest tenth.



21 mm

21 mm

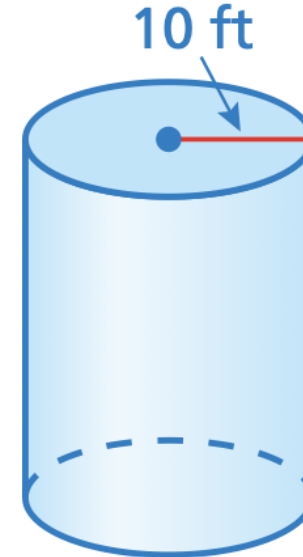
Volume = 5292 mm³



7 mm

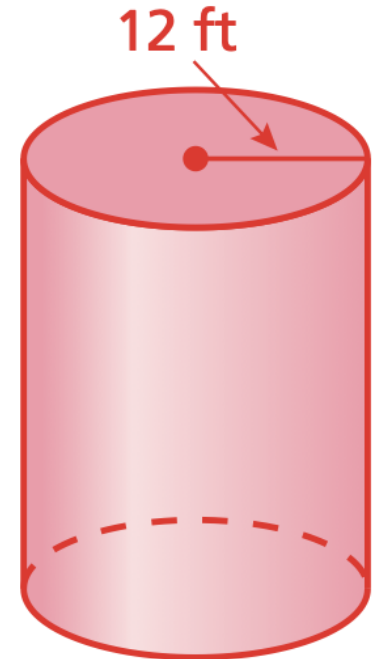
7 mm

13.



10 ft

Volume = 7850 ft³



12 ft